



MIAMI-DADE COUNTY
BUILDING AND NEIGHBORHOOD COMPLIANCE DEPARTMENT (BNC)
BOARD AND CODE ADMINISTRATION DIVISION

MIAMI-DADE COUNTY
PRODUCT CONTROL SECTION
 11805 SW 26 Street, Room 208
 Miami, Florida 33175-2474
 T (786) 315-2590 F (786) 315-2599

NOTICE OF ACCEPTANCE (NOA)

www.miamidade.gov/building

Building Performance Americas USA, Inc.
9415 Discovery Terrace # 202
Bradenton, FL 34212

SCOPE:

This NOA is being issued under the applicable rules and regulations governing the use of construction materials. The documentation submitted has been reviewed by Miami-Dade County Product Control Section and accepted by the Board of Rules and Appeals (BORA) to be used in Miami Dade County and other areas where allowed by the Authority Having Jurisdiction (AHJ).

This NOA shall not be valid after the expiration date stated below. The Miami-Dade County Product Control Section (In Miami-Dade County) and/or the AHJ (in areas other than Miami-Dade County) reserve the right to have this product or material tested for quality assurance purposes. If this product or material fails to perform in the accepted manner, the manufacturer will incur the expense of such testing and the AHJ may immediately revoke, modify, or suspend the use of such product or material within their jurisdiction. BORA reserves the right to revoke this acceptance, if it is determined by Miami-Dade County Product Control Section that this product or material fails to meet the requirements of the applicable building code. This product is approved as described herein, and has been designed to comply with the Florida Building Code, including the High Velocity Hurricane Zone.

DESCRIPTION: BPA Soffit Safety Vent

APPROVAL DOCUMENT: Drawing No. **PA09-058**, titled "BPA Safety Vent", sheets 1 through 3 of 3, dated 02/03/11, prepared by DLG Engineering, Inc, signed and sealed by Wimal Suaris, P.E., bearing the Miami-Dade County Product Control approval stamp with the Notice of Acceptance number and approval date by the Miami-Dade County Product Control Section.

MISSILE IMPACT RATING: None

LABELING: Each unit shall bear a permanent label with the manufacturer's name or logo, Sarasota, FL and following statement: "Miami-Dade County Product Control Approved", unless otherwise noted herein.

RENEWAL of this NOA shall be considered after a renewal application has been filed and there has been no change in the applicable building code negatively affecting the performance of this product.

TERMINATION of this NOA will occur after the expiration date or if there has been a revision or change in the materials, use, and/or manufacture of the product or process. Misuse of this NOA as an endorsement of any product, for sales, advertising or any other purposes shall automatically terminate this NOA. Failure to comply with any section of this NOA shall be cause for termination and removal of NOA.

ADVERTISEMENT: The NOA number preceded by the words Miami-Dade County, Florida, and followed by the expiration date may be displayed in advertising literature. If any portion of the NOA is displayed, then it shall be done in its entirety.

INSPECTION: A copy of this entire NOA shall be provided to the user by the manufacturer or its distributors and shall be available for inspection at the job site at the request of the Building Official. This NOA consists of this page 1 and evidence page E-1, as well as approval document mentioned above. The submitted documentation was reviewed by **Carlos M. Utrera, P.E.**



[Handwritten Signature]
 03/14/11

NOA No. 11-0207.01
 Expiration Date: April 07, 2016
 Approval Date: April 07, 2011
 Page 1

NOTICE OF ACCEPTANCE: EVIDENCE SUBMITTED

A. DRAWINGS

1. Drawing No. **PA09-058**, titled "BPA Safety Vent", sheets 1 through 3 of 3, dated 02/03/11, prepared by DLG Engineering, Inc, signed and sealed by Wimal Suaris, P.E.

B. TESTS

1. Test reports on 1) Uniform Static Air Pressure Test, Loading per FBC, TAS 202-94
2) Cyclic Wind Pressure Loading per FBC, TAS 203-94
3) Tensile Test per ASTM A370-05
Along with marked-up drawings and installation diagram of a Model BPA Safety Vent, prepared by Fenestration Testing Laboratory, Inc., Test Report No. **6406**, dated 12/29/10, signed and sealed by Marlin D. Brinson, P.E.

C. CALCULATIONS

1. Anchoring & bending calculations, prepared by DLG Engineering, Inc., dated 02/03/11, complying with F.B.C. 2007, signed and sealed by Wimal Suaris, P.E.

D. QUALITY ASSURANCE

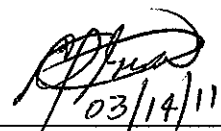
1. Miami-Dade Building and Neighborhood Compliance Department (BNC)

E. MATERIAL CERTIFICATIONS

1. None.

F. STATEMENTS

1. Statement letter of code conformance to 2007 FBC, issued by DLG Engineering, Inc, dated 02/03/11, signed and sealed by Wimal Suaris, P.E.
2. Statement letter of no financial interest issued by DLG Engineering, Inc, dated 02/03/11, signed and sealed by Wimal Suaris, P.E.



03/14/11

Carlos M. Utrera, P.E.
Product Control Examiner
NOA No. 11-0207.01
Expiration Date: April 07, 2016
Approval Date: April 07, 2011

**BUILDING PERFORMANCE AMERICAS USA INC.
BPA SAFETY VENT**

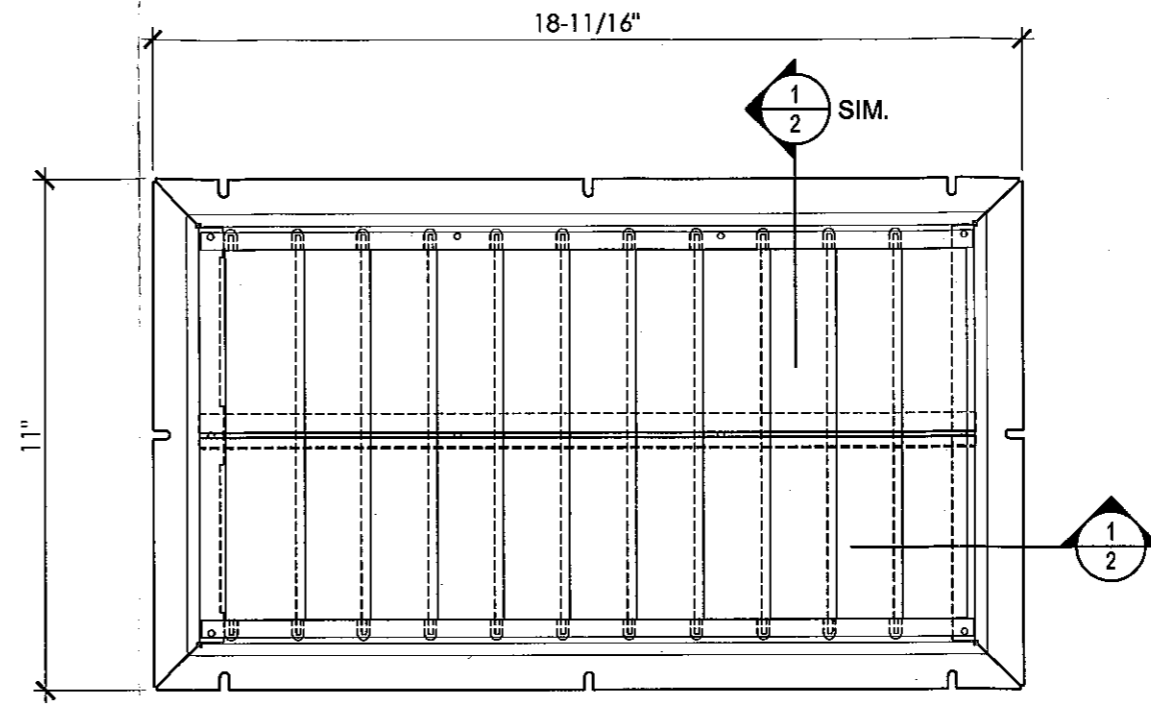
GENERAL NOTES:

1. BPA SAFETY VENT SHOWN ON THIS PRODUCT APPROVAL DOCUMENT (P.A.D.) HAS BEEN VERIFIED FOR COMPLIANCE IN ACCORDANCE WITH THE 2007 EDITION OF THE FLORIDA BUILDING CODE WITH THE 2009 SUPPLEMENTS. DESIGN WIND LOADS SHALL BE DETERMINED AS PER SECTION 1620 OF THE ABOVE MENTIONED CODE IN ORDER TO VERIFY THAT COMPONENTS AND ANCHORS ON THIS P.A.D., AS TESTED, WERE NOT OVER STRESSED. BPA SAFETY VENT ADEQUACY FOR FATIGUE RESISTANCE HAS BEEN VERIFIED IN ACCORDANCE WITH SECTION 1626 OF THE ABOVE MENTIONED CODE (AS PER FENESTRATION TESTING LABORATORY REPORT # 10-709, PER PROTOCOLS TAS 202).
2. ALL SCREWS MUST BE OF APPROVED CORROSION RESISTANCE (ESPECIALLY RESPECTING COMPATIBILITY WITH THE GALVANIZED STEEL OF THE TRAY).
3. IT SHALL BE THE RESPONSIBILITY OF THE RESPONSIBLE DESIGN PROFESSIONAL TO VERIFY FBC COMPLIANCE OF THE STRUCTURE WHERE THE BPA SAFETY VENT IS TO BE ATTACHED.
4. BPA SAFETY VENT INSTALLATION SHALL COMPLY WITH THE SPECIFICATIONS INDICATED IN THIS DRAWING, PLUS ANY BUILDING AND ZONING REGULATIONS PROVIDED BY THE JURISDICTION WHERE PERMIT IS APPLIED TO.
5. (A) THIS PRODUCT APPROVAL DOCUMENT (P.A.D.) PREPARED BY THIS ENGINEER IS GENERIC AND DOES NOT PROVIDE INFORMATION FOR A SITE SPECIFIC PROJECT.

(B) CONTRACTOR TO BE RESPONSIBLE FOR THE SELECTION, PURCHASE AND INSTALLATION INCLUDING LIFE SAFETY OF THIS PRODUCT BASED ON THIS PRODUCT APPROVAL DOCUMENT (P.A.D.) PROVIDED THERE IS NO DEVIATION FROM THE CONDITIONS DETAILED ON THIS DOCUMENT. CONSTRUCTION SAFETY AT SITE IS THE CONTRACTOR'S RESPONSIBILITY.

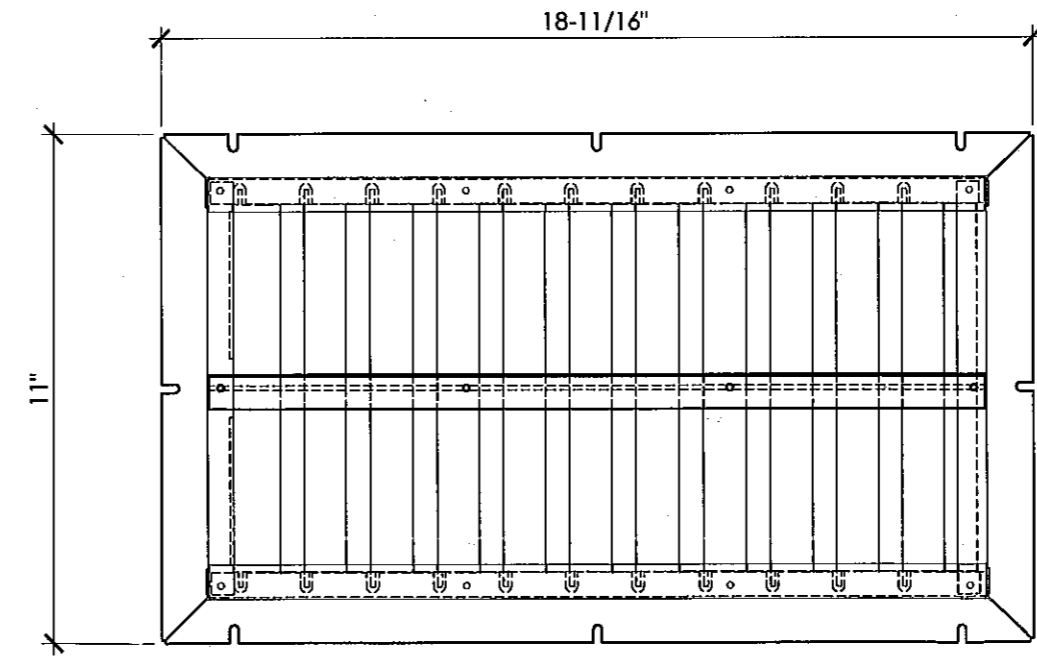
(C) SITE SPECIFIC PROJECTS SHALL BE PREPARED BY A FLORIDA REGISTERED ENGINEER OR ARCHITECT WHICH WILL BECOME THE DESIGNER OF RECORD.
6. THE MOUNTING POSITION SHALL HAVE THE BPA SAFETY VENT POSITIONED CLOSELY TO THE WALL, WITH ITS LONG AXIS PARALLEL TO THE WALL, AS SKETCHED.
7. BPA SAFETY VENT MANUFACTURER'S LABEL SHALL BE PLACED ON A READILY AND VISIBLE LOCATION AT PANEL.
8. ANY CODE COMPLIANT GRILLES CAN BE USED WITH THE BPA SAFETY VENT.
9. CONNECTION OF BPA SAFETY VENT TO SUBSTRATE SHALL BE TO CDX (GROUP 2) PLYWOOD WITH A MINIMUM THICKNESS OF 1/2".
10. ANCHORS TO PLYWOOD SHALL BE #6 SELF DRILLING PAN HEAD SCREWS ST/ST (GRADE 2 CRS) WITH MIN. 15/32" THREADED PENETRATION.

**DESIGN PRESSURE RATING:
+80.0 PSF, -80.0 PSF**



**VANES BLOWN CLOSED
VIEW FROM BELOW SOFFIT**
SCALE 3" = 1'-0"

**WEATHERING COVER AND
FLY SCREEN NOT SHOWN
FOR CLARITY**

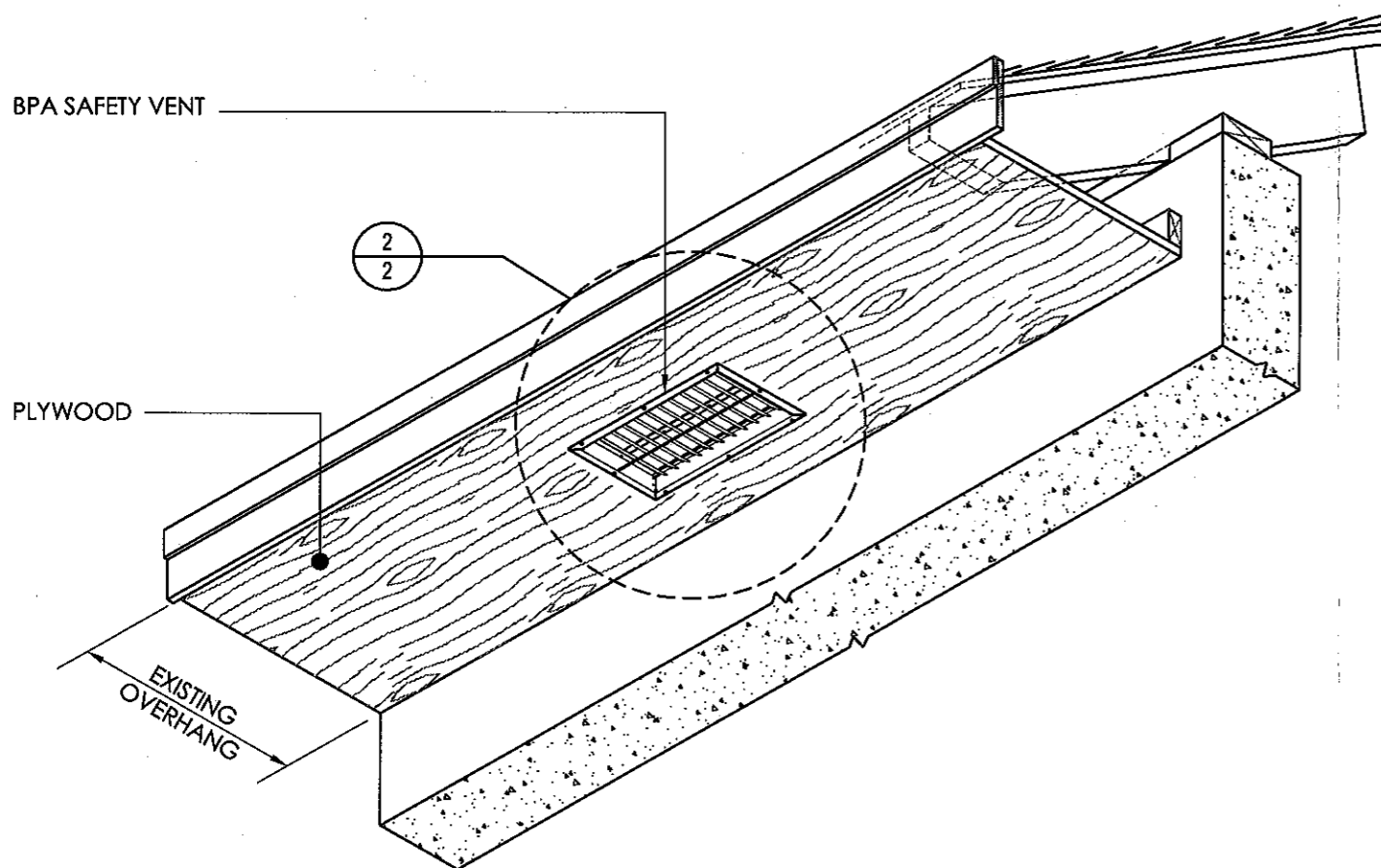


**VANES HANGING OPEN
VIEW FROM ABOVE SOFFIT**
SCALE 3" = 1'-0"

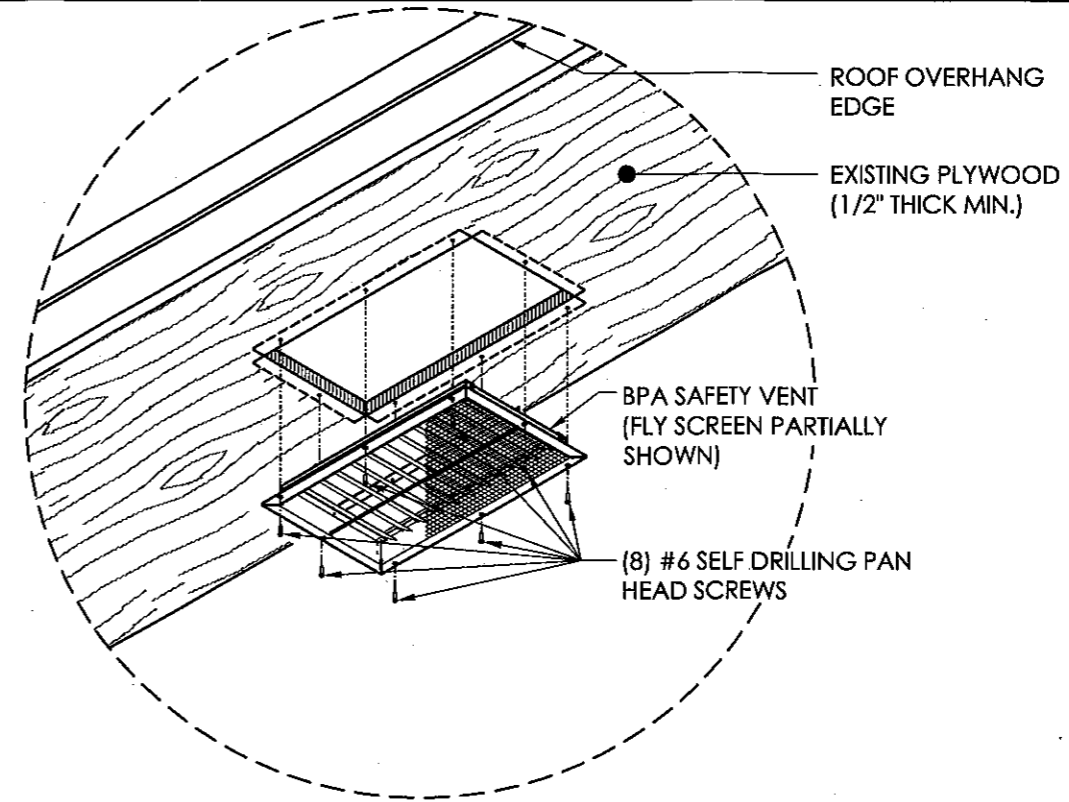
Approved as complying with the
Florida Building Code
Date 04/07/2011
NOA# 11-0207-01
Miami Dade Product Control
By *[Signature]*

WIMAL SUARIS, P.E.
WIMAE# 37369
GAY# 284761/5
LICENSE# 11-0207-01
FEB 03 2011
STATE OF
FLORIDA
PROFESSIONAL ENGINEER

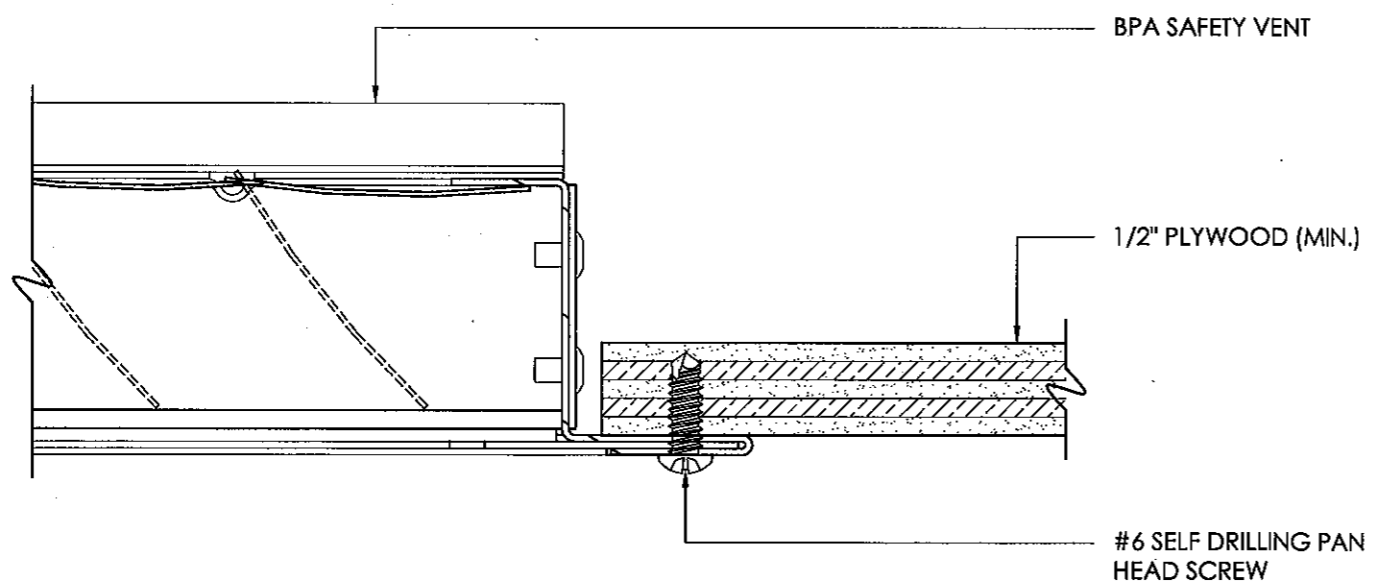
REVISIONS	
DLG ENGINEERING, INC. GLAZING CONSULTANTS 5631 SW 67th AVE. SOUTH MIAMI, FL 33143 WWW.DLGENGINEERING.COM P: 305 665-9089 F: 305 665-4672 DLGE@BELL SOUTH.NET	
BPA SAFETY VENT BUILDING PERFORMANCE AMERICAS USA INC. 9415 DISCOVERY TERRACE, #202 BRADENTON, FL 34212 P: (345) 916 - 4568 F: (345) 945 - 2289	
DATE	02-03-2011
SCALE	3"=1'-0"
DRAWN	JCC/JS
PROJECT	09-058
DRAWING NO. PA09-058	
SHEET 1 OF 3	



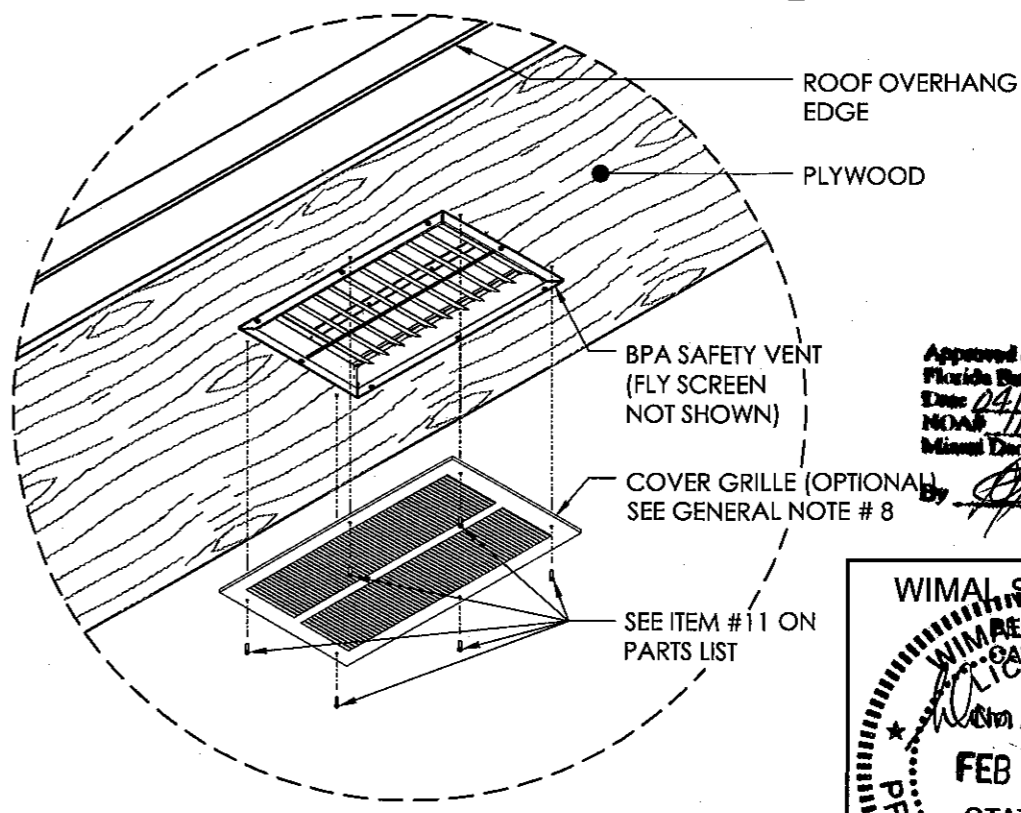
TYPICAL INSTALLATION FOR BPA SAFETY VENT
ISOMETRIC VIEW FROM BELOW
 SCALE 3/4" = 1'-0"



TYPICAL INSTALLATION FOR BPA SAFETY VENT
VIEW FROM BELOW SOFFIT
 SCALE 1" = 1'-0"



ANCHORED THROUGH PLYWOOD
VSV CONNECTION DETAIL
 SCALE 1" = 1'-0"

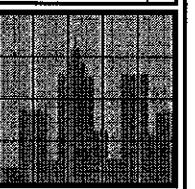


INSTALLATION FOR BPA SAFETY VENT (OPTIONAL)
VIEW FROM BELOW SOFFIT
 SCALE 1" = 1'-0"

Approved as complying with the
 Florida Building Code
 Date: 04/07/2011
 NO. 11-0207.01
 Minimal Data Product Control
 By: *[Signature]*

WIMAL SUARIS, P.E.
 WIMA # 3089
 CAE # 28450
 LICENSE
 FEB 03 2011
 STATE OF
 FLORIDA
 PROFESSIONAL ENGINEER

REVISIONS



DLG ENGINEERING, INC.
 GLAZING CONSULTANTS
 P: 305 665-9089
 F: 305 665-4672
 DLGE@BELLSOUTH.NET
 5631 SW 67th AVE.
 SOUTH MIAMI, FL 33143
 WWW.DLGENGINEERING.COM

BPA SAFETY VENT
 BUILDING PERFORMANCE AMERICAS USA INC.
 9415 DISCOVERY TERRACE, #202
 BRADENTON, FL 34212
 P: (345) 916 - 4568 F: (345) 945 - 2289

DATE	02 - 03 - 2011
SCALE	AS SHOWN
DRAWN	JCC / JS
PROJECT	09 - 058

DRAWING NO.
 PA09 - 058
 SHEET
 2 OF 3

